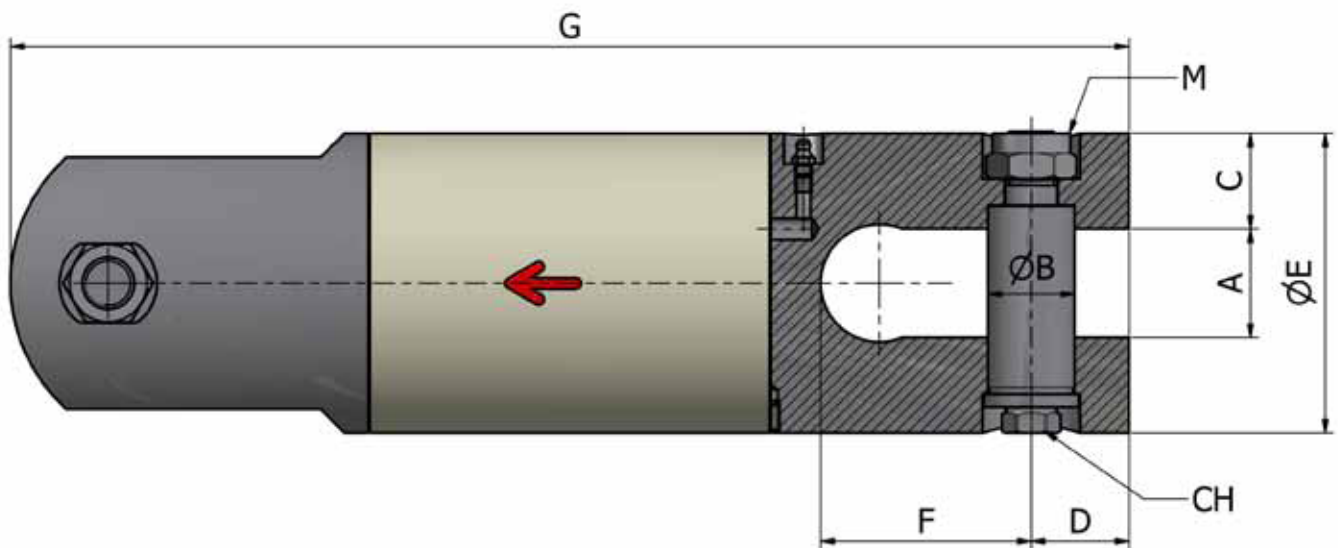


7 MINI RIG SWIVELS



MINI RIG SWIVELS

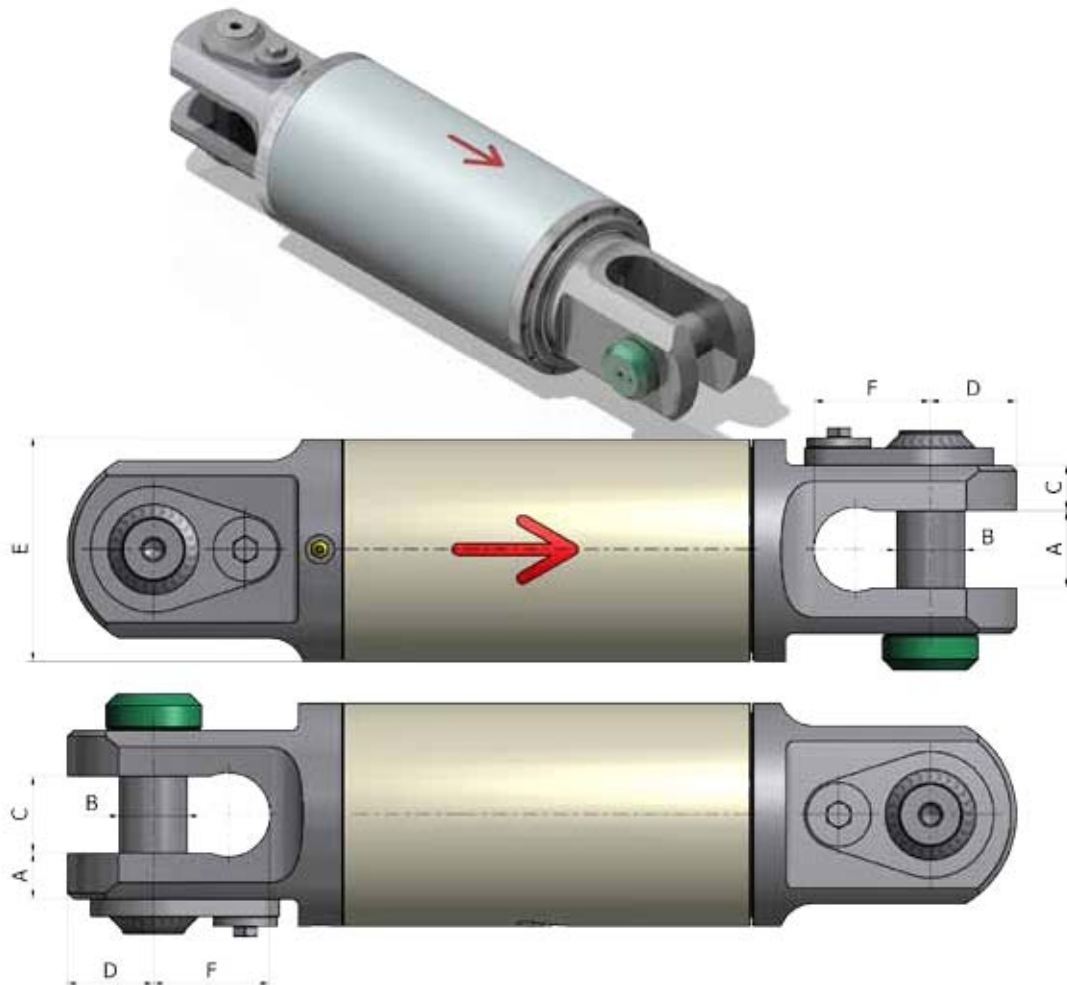
| CODE | DESCRIPTION |
|----------|------------------------|
| DSWMRT10 | MINI RIG SWIVEL 10 TON |
| DSWMRT15 | MINI RIG SWIVEL 15 TON |
| DSWMRT20 | MINI RIG SWIVEL 20 TON |
| DSWMRT30 | MINI RIG SWIVEL 30 TON |
| DSWMRT40 | MINI RIG SWIVEL 40 TON |



MINI RIG SWIVELS DIMENSIONS

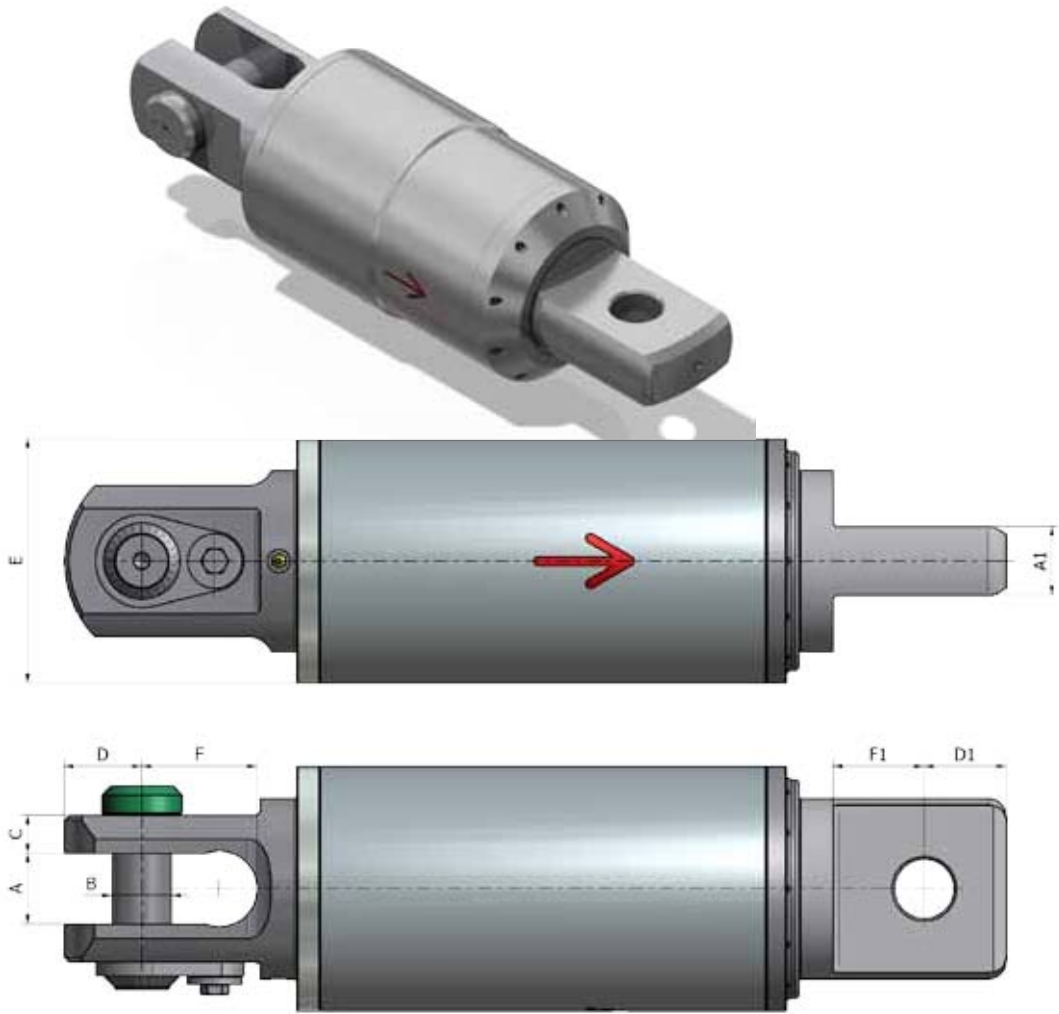
| CODE | LOAD | A | B | C | D | E | F | G | M | CH | WEIGHT [KG] |
|----------|--------|----|----|------|----|-----|------|-----|-----|----|-------------|
| DSWMRT10 | 10 TON | 38 | 25 | 21 | 28 | 80 | 59.5 | 343 | M12 | 19 | 8,9 |
| DSWMRT15 | 15 TON | 44 | 30 | 32 | 38 | 108 | 80.5 | 440 | M16 | 20 | 21,8 |
| DSWMRT20 | 20 TON | 46 | 35 | 39.5 | 40 | 125 | 85 | 475 | M20 | 24 | 32,5 |
| DSWMRT30 | 30 TON | 50 | 40 | 44 | 45 | 138 | 97 | 515 | M24 | 24 | 42,5 |
| DSWMRT40 | 40 TON | 60 | 45 | 54 | 55 | 168 | 105 | 597 | M24 | 24 | 72,5 |

8 HDD SWIVELS

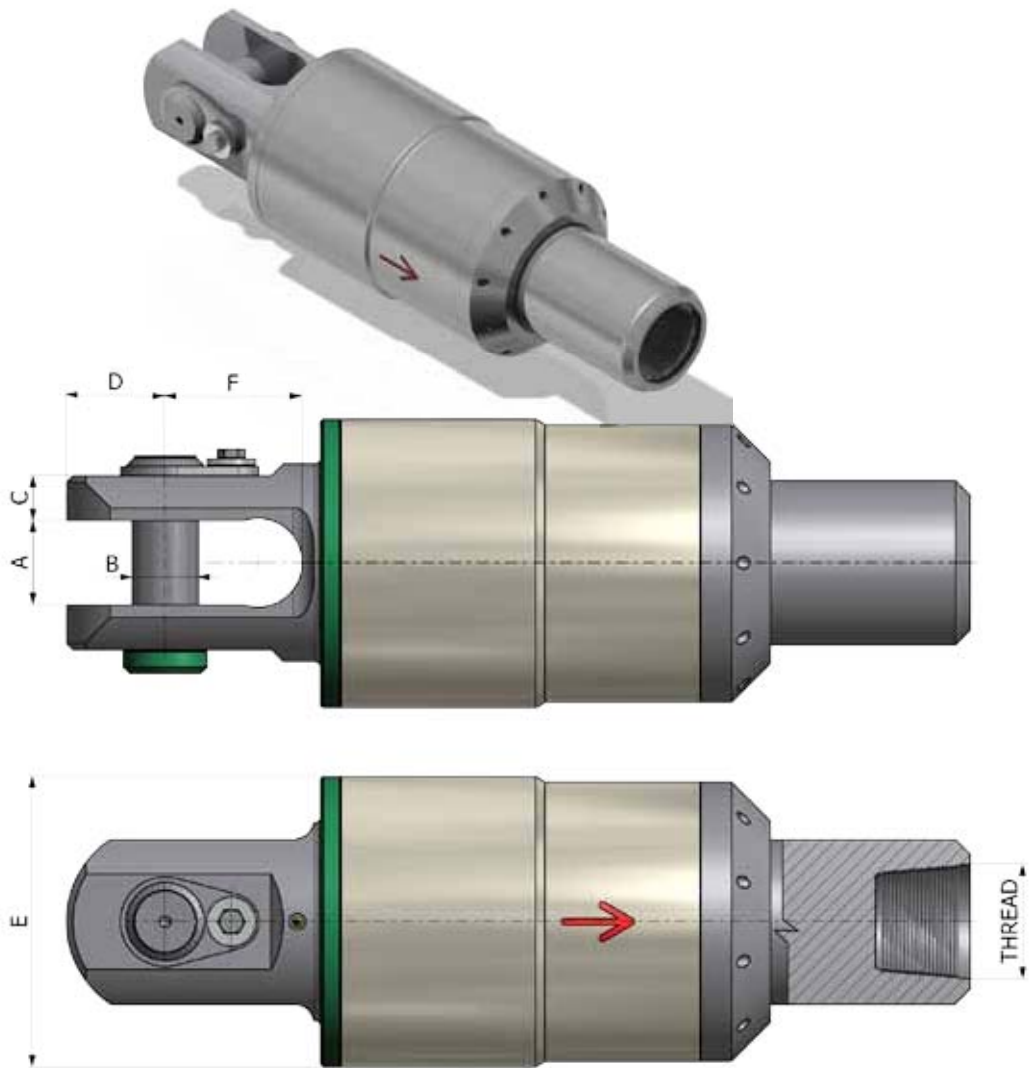


HEAVY DUTY PULL BACK SWIVEL DIMENSIONS- CLEVIS CLEVIS TYPE

| CODE | SIZE | M.U. | A | B | C | D | E | F | THRUST BEARING | MAX DYNAMIC | MAX STATIC | WEIGHT |
|-------------|-----------|------|------|------|------|------|-------|-------|------------------------------------|-------------|------------|--------|
| | [M. TONS] | | | | | | | | | [M. TONS] | [M. TONS] | [KG] |
| DSW60TON/C | 60 | mm | 67 | 60 | 40 | 75 | 195 | 101,5 | DIN 728-29415 E 75 x 160 x 51 | 57 | 120 | 138 |
| | | inch | 2,64 | 2,36 | 1,57 | 2,95 | 7,68 | 4 | | | | |
| DSW80TON/C | 80 | mm | 77 | 65 | 42 | 85 | 268 | 126,5 | DIN 728-29420 E 100 x 210 x 67 | 76 | 160 | 282 |
| | | inch | 3,03 | 2,56 | 1,65 | 3,35 | 10,55 | 4,98 | | | | |
| DSW100TON/C | 100 | mm | 87 | 70 | 46 | 95 | 289 | 123,5 | DIN 728-29422 E 110 x 230 x 73 | 95 | 200 | 330 |
| | | inch | 3,43 | 2,76 | 1,81 | 3,74 | 11,38 | 4,86 | | | | |
| DSW150TON/C | 150 | mm | 92 | 75 | 50 | 100 | 325 | 134 | DIN 728-29424 E 120 x 250 x 78 | 143 | 300 | 433,5 |
| | | inch | 3,62 | 2,95 | 1,97 | 3,94 | 12,80 | 5,28 | | | | |
| DSW200TON/C | 200 | mm | 102 | 89 | 55 | 120 | 378 | 160 | DIN 728-29430 E 150 x 300 x 90 | 190 | 400 | 631,5 |
| | | inch | 4 | 3,5 | 2,19 | 4,75 | 14,88 | 6,25 | | | | |
| DSW250TON/C | 250 | mm | 115 | 95 | 60 | 140 | 398 | 181,5 | DIN 728-29338 E 190 x 320 x 78 | 238 | 500 | 715 |
| | | inch | 4,53 | 3,74 | 2,36 | 5,51 | 15,67 | 7,15 | | | | |
| DSW300TON/C | 300 | mm | 127 | 100 | 68 | 150 | 440 | 207,5 | DIN 728-29340 E 200 x 340 x 85 | 285 | 600 | 884 |
| | | inch | 5 | 3,94 | 2,68 | 5,91 | 17,32 | 8,17 | | | | |
| DSW500TON/C | 500 | mm | 240 | 190 | 130 | 250 | 590 | 335 | DIN 728-29452 E 260 x 480 x 132 | 475 | 1000 | / |
| | | inch | 9,45 | 7,48 | 5,12 | 9,84 | 23,23 | 13,19 | | | | |



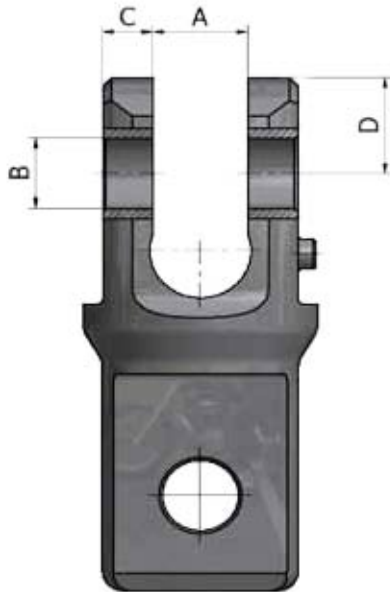
| HEAVY DUTY PULL BACK SWIVEL DIMENSIONS- CLEVIS PIN TYPE | | | | | | | | | | | | | | | |
|---|-----------|------|------|------|------|------|-------|-------|------|-------|-------|------------------------------------|-------------|------------|--------|
| CODE | SIZE | M.U. | A | B | C | D | E | F | A1 | D1 | F1 | THRUST BEARING | MAX DYNAMIC | MAX STATIC | WEIGHT |
| | [M. TONS] | | | | | | | | | | | | [M. TONS] | [M. TONS] | [KG] |
| DSW60TON | 60 | mm | 67 | 60 | 40 | 75 | 195 | 101,5 | 65 | 80 | 90 | DIN 728-29415 E 75 x 160 x 51 | 57 | 120 | 130 |
| | | inch | 2,64 | 2,36 | 1,57 | 2,95 | 7,68 | 4 | 2,56 | 3,15 | 3,54 | | | | |
| DSW80TON | 80 | mm | 77 | 65 | 42 | 85 | 268 | 126,5 | 75 | 90 | 100 | DIN 728-29420 E 100 x 210 x 67 | 76 | 160 | 274 |
| | | inch | 3,03 | 2,56 | 1,65 | 3,35 | 10,55 | 4,98 | 2,95 | 3,54 | 3,94 | | | | |
| DSW100TON | 100 | mm | 87 | 70 | 46 | 95 | 289 | 123,5 | 85 | 95 | 121 | DIN 728-29422 E 110 x 230 x 73 | 95 | 200 | 330 |
| | | inch | 3,43 | 2,76 | 1,81 | 3,74 | 11,38 | 4,86 | 3,35 | 3,74 | 4,76 | | | | |
| DSW150TON | 150 | mm | 92 | 75 | 50 | 100 | 325 | 134 | 90 | 100 | 116 | DIN 728-29424 E 120 x 250 x 78 | 143 | 300 | 426 |
| | | inch | 3,62 | 2,95 | 1,97 | 3,94 | 12,80 | 5,28 | 3,54 | 3,94 | 4,57 | | | | |
| DSW200TON | 200 | mm | 102 | 89 | 55 | 120 | 378 | 160 | 100 | 125 | 130 | DIN 728-29430 E 150 x 300 x 90 | 190 | 400 | 630 |
| | | inch | 4 | 3,5 | 2,19 | 4,75 | 14,88 | 6,25 | 3,94 | 4,92 | 5,12 | | | | |
| DSW250TON | 250 | mm | 115 | 95 | 60 | 140 | 398 | 181,5 | 113 | 157 | 156 | DIN 728-29338 E 190 x 320 x 78 | 238 | 500 | 702 |
| | | inch | 4,53 | 3,74 | 2,36 | 5,51 | 15,67 | 7,15 | 4,45 | 6,18 | 6,14 | | | | |
| DSW300TON | 300 | mm | 127 | 100 | 68 | 150 | 440 | 207,5 | 125 | 150 | 187 | DIN 728-29340 E 200 x 340 x 85 | 285 | 600 | 868 |
| | | inch | 5 | 3,94 | 2,68 | 5,91 | 17,32 | 8,17 | 4,92 | 5,91 | 7,36 | | | | |
| DSW500TON | 500 | mm | 240 | 190 | 130 | 250 | 590 | 335 | 238 | 260 | 260 | DIN 728-29452 E 260 x 480 x 132 | 475 | 1000 | / |
| | | inch | 9,45 | 7,48 | 5,12 | 9,84 | 23,23 | 13,19 | 9,37 | 10,24 | 10,24 | | | | |



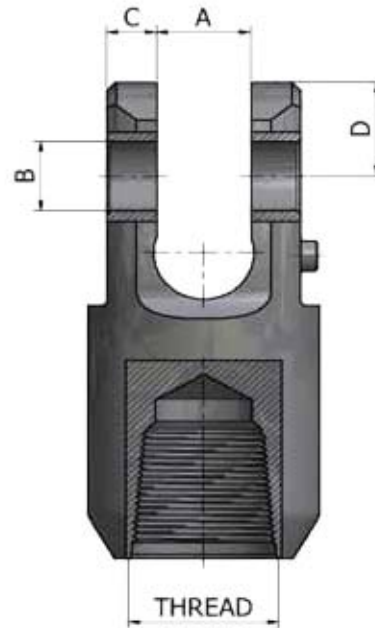
HEAVY DUTY PULL BACK SWIVEL DIMENSIONS- CLEVIS BOX TYPE

| CODE | SIZE | M.U. | A | B | C | D | E | F | THREAD | THRUST BEARING | MAX DYNAMIC | MAX STATIC | WEIGHT |
|-------------|-----------|------|------|------|------|------|-------|-------|-------------|------------------------------------|-------------|------------|--------|
| | [M. TONS] | | | | | | | | | | [M. TONS] | [M. TONS] | [KG] |
| DSW60TON | 60 | mm | 67 | 60 | 40 | 75 | 195 | 101,5 | 4"-1/2 I.F. | DIN 728-29415 E 75 x 160 x 51 | 57 | 120 | 130 |
| | | inch | 2,64 | 2,36 | 1,57 | 2,95 | 7,68 | 4 | | | | | |
| DSW80TON-1 | 80 | mm | 77 | 65 | 42 | 85 | 268 | 126,5 | 4"-1/2 I.F. | DIN 728-29420 E 100 x 210 x 67 | 76 | 160 | 274 |
| | | inch | 3,03 | 2,56 | 1,65 | 3,35 | 10,55 | 4,98 | | | | | |
| DSW100TON-1 | 100 | mm | 87 | 70 | 46 | 95 | 289 | 123,5 | 4"-1/2 I.F. | DIN 728-29422 E 110 x 230 x 73 | 95 | 200 | 330 |
| | | inch | 3,43 | 2,76 | 1,81 | 3,74 | 11,38 | 4,86 | | | | | |
| DSW150TON-1 | 150 | mm | 92 | 75 | 50 | 100 | 325 | 134 | 4"-1/2 I.F. | DIN 728-29424 E 120 x 250 x 78 | 143 | 300 | 426 |
| | | inch | 3,62 | 2,95 | 1,97 | 3,94 | 12,80 | 5,28 | | | | | |
| DSW200TON-1 | 200 | mm | 102 | 89 | 55 | 120 | 378 | 160 | 4"-1/2 I.F. | DIN 728-29430 E 150 x 300 x 90 | 190 | 400 | 630 |
| | | inch | 4 | 3,5 | 2,19 | 4,75 | 14,88 | 6,25 | | | | | |
| DSW250TON-1 | 250 | mm | 115 | 95 | 60 | 140 | 398 | 181,5 | 6"-5/8 FH | DIN 728-29338 E 190 x 320 x 78 | 238 | 500 | 702 |
| | | inch | 4,53 | 3,74 | 2,36 | 5,51 | 15,67 | 7,15 | | | | | |
| DSW300TON-1 | 300 | mm | 127 | 100 | 68 | 150 | 440 | 207,5 | 6"-5/8 FH | DIN 728-29340 E 200 x 340 x 85 | 285 | 600 | 868 |
| | | inch | 5 | 3,94 | 2,68 | 5,91 | 17,32 | 8,17 | | | | | |
| DSW500TON-1 | 500 | mm | 240 | 190 | 130 | 250 | 590 | 335 | 7"-5/8 A.R. | DIN 728-29452 E 260 x 480 x 132 | 475 | 1000 | / |
| | | inch | 9,45 | 7,48 | 5,12 | 9,84 | 23,23 | 13,19 | | | | | |

CLEVIS-PIN



CLEVIS-BOX



| CODE | SIZE | M.U. | A | B | C | D | THREAD | WEIGHT |
|-------------|-----------|------|-----|-----|-----|-----|-------------|--------|
| | [M. TONS] | | | | | | | [KG] |
| DSW100TON-A | | | 87 | 70 | 46 | 95 | - | 63 |
| DSW100TON-B | 100 | mm | 87 | 70 | 46 | 95 | 4"-1/2 I.F. | 79 |
| DSW100TON-C | | | | | | | - | - |
| DSW150TON-A | | | 92 | 75 | 50 | 100 | | 85,6 |
| DSW150TON-B | 150 | mm | 92 | 75 | 50 | 100 | 4"-1/2 I.F. | 94 |
| DSW150TON-C | | | | | | | | - |
| DSW200TON-A | | | 102 | 89 | 55 | 120 | | |
| DSW200TON-B | 200 | mm | 102 | 89 | 55 | 120 | 4"-1/2 I.F. | |
| DSW200TON-C | | | | | | | | |
| DSW250TON-A | | | 115 | 95 | 60 | 140 | | 153 |
| DSW250TON-B | 250 | mm | 115 | 95 | 60 | 140 | 6"-5/8 FH | 143,5 |
| DSW250TON-C | | | | | | | | - |
| DSW300TON-A | | | 127 | 100 | 68 | 150 | | 221 |
| DSW300TON-B | 300 | mm | 127 | 100 | 68 | 150 | 6"-5/8 FH | 206 |
| DSW300TON-C | | | | | | | | - |
| DSW500TON-A | | | 240 | 190 | 130 | 250 | | |
| DSW500TON-B | 500 | mm | 240 | 190 | 130 | 250 | 7"-5/8 A.R. | |
| DSW500TON-C | | | | | | | | |

| HDD SWIVELS | |
|-------------|---|
| CODE | DESCRIPTION |
| DSW60TON | DIR. SWIVEL 60T CLEVIS/PIN D.190 d.55 |
| DSW60TON-1 | DIR. SWIVEL 60T CLEVIS/4"1/2 IF D.190 d.55 |
| DSW80TON | DIR. SWIVEL 80T CLEVIS/PIN D.225 d.65 |
| DSW80TON-1 | DIR. SWIVEL 80T CLEVIS/4"1/2 IF F D.225 d.65 |
| DSW100TON | DIR. SWIVEL 100T CLEVIS/PIN D.290 d.70 |
| DSW100TON-H | DIR. SWIVEL 100T CLEVIS/F 4"1/2 IF |
| DSW150TON | DIR. SWIVEL 150T CLEVIS/PIN D.320 d.75 |
| DSW150TON-1 | DIR. SWIVEL 150T CLEVIS/4"1/2IF F D.320 d.75 |
| DSW200TON | DIR. SWIVEL 200T CLEVIS/PIN D.350 PERNO D.90 |
| DSW200TON-1 | DIR. SWIVEL 200T CLEVIS-4"1/2 IF F D.355 PERNO D.90 |
| DSW250TON | DIR. SWIVEL 250T CLEVIS/PIN D.390 d.95 |
| DSW250TON-D | DIR. SWIVEL 250T CLEVIS-6"5/8FH D.390 d.95 |
| DSW300TON | DIR. SWIVEL 300T CLEVIS/PIN D.400 d.100 |
| DSW300TON-1 | DIR. SWIVEL 300T CLEVIS-6"5/8 FH F D.400 d.100 |

9 ADAPTERS

| ADAPTERS | |
|---------------|--|
| CODE | DESCRIPTION |
| 312I312I4001 | S.SUB 3" 1/2IF M/F L.400 (D.127) |
| 312I312I2603 | S.SUB 3" 1/2IF M/M L.260 (D.127) |
| 312I312I2603B | B.SUB 3" 1/2IF M/M L.260 (D.127) blind sub |
| 412I412I2601 | S.SUB 4" 1/2IF M/F L.260 (D.165) |
| 412I412I2603 | S.SUB 4" 1/2IF M/M L.260 (D.165) |
| 412I412I2601B | B.SUB 4" 1/2IF M/F L.260 (D.165) blind sub |
| 412I412I400W | W.SUB 4" 1/2IF M/F L.400 (D.165) wiper sub |
| 658H658H2601 | S.SUB 6" 5/8FH M/F L.260 (D.203) |
| 658H658H2603 | S.SUB 6" 5/8FH M/M L.260 (D.203) |
| 658H658H2601B | B.SUB 6" 5/8FH M/F L.260 |
| 658H658H400W | W.SUB M/F 6" 5/8FH L.400 (D.203) wiper sub |
| 412I658H2601 | XOVER 4" 1/2IF M/F 6" 5/8FH L.206 (D.203) |
| 412I658H2602 | XOVER 4" 1/2IF F/M 6" 5/8FH L.206 (D.203) |
| 412I658H2603 | XOVER 4" 1/2IF M/M 6" 5/8FH L.206 (D.203) |
| 412I658H2604 | XOVER 4" 1/2IF F/F 6" 5/8FH L.206 (D.203) |