

## 1 TRANSMITTER HOUSINGS

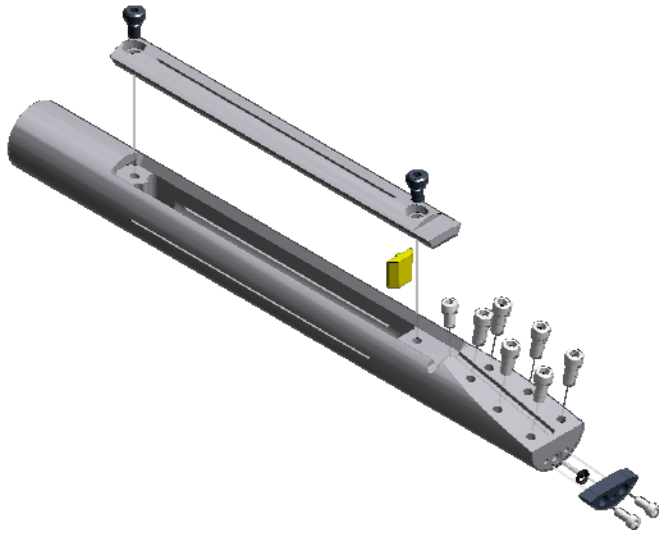


FIG. 1: THD76000

D.76 mm (3") available diameter.  
For 1.25"x15"-31.8x381mm  
DIGITRACK sonde.  
Side lid.  
Standard heavy duty nozzle, 1.80 mm  
diameter.  
2"-3/8 A.R. standard female thread  
connection for rods.

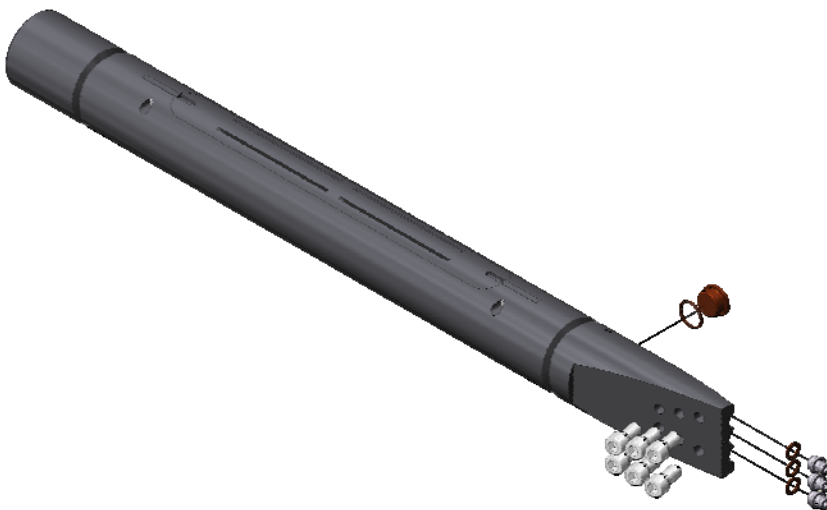


FIG. 2: THD1200

D.120 mm (4"-3/4) available  
diameter.  
For D.38.1x458 mm (1"-1/2) SUB-  
SIDE sonde.  
Side lid.  
Standard jetting heavy duty C2 type  
nozzles.  
High capacity flow (max 200 Lt/min).  
JT7020 female thread for rods.

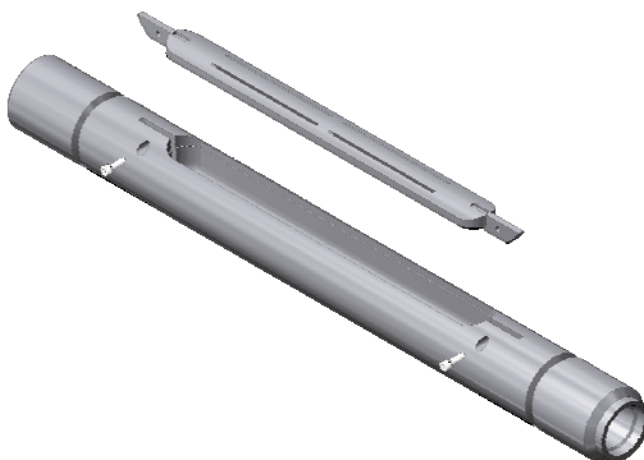
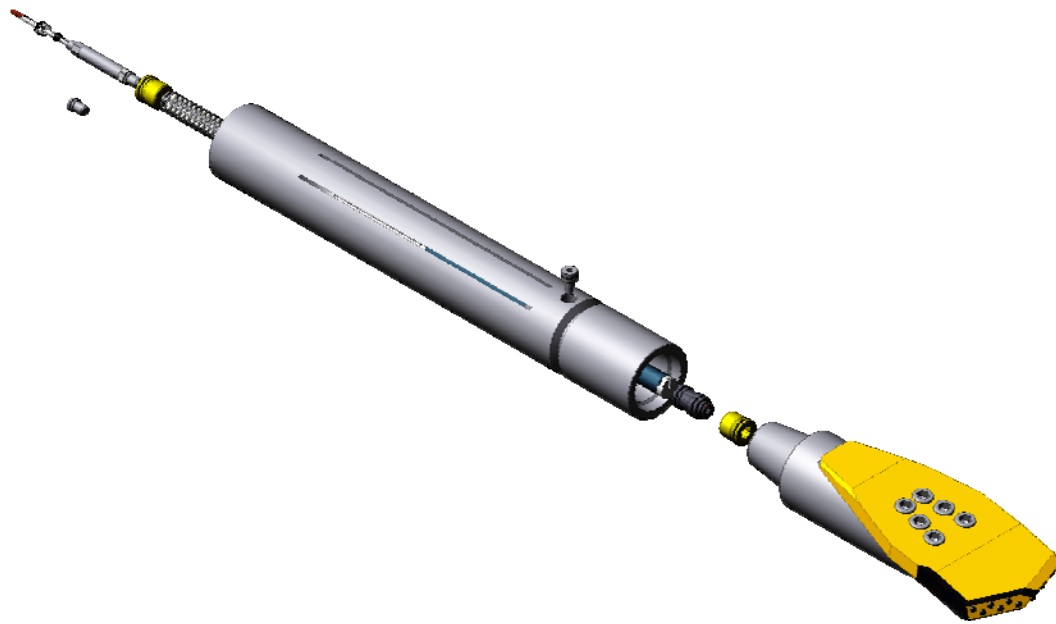


FIG. 3: THD1200A

D.120 mm (4"-3/4) available  
diameter.  
For D.38.1x458 mm (1"-1/2) SUB-  
SIDE sonde.  
Side lid.  
Threaded ends JT7020-3"-1/2 I.F.  
F/F.  
High capacity flow (max 200 Lt./min)



**FIG. 4: TH6CHART02**

D. 115 available diameter. For Digitrack sonde 1.25"x15" (31.8x381) and 1.25"x19" (31.8x482.6), with cable or battery. High capacity flow (200 Lt/min max). 2"-7/8 I.F. female rod connection. 3"-1/2 A.R. female connection for blade holder. Easy sonde reference regulation.

CODE	DESCRIPTION	EURO/EACH	% DISC.
THD76000 D76	TRANSMIT.HOUS.D35 2"3/8ARF		
THD76003	LID FOR TRANSMITTER HOUSING D.76		
THD76004	BOLTS KIT TRASM. THD76		
THD76005	NOSE JET SONDE THD 76 (D.2.5)		
THD76006	KEY SONDE FOR THD 76/70		
THD12000	D.120 TRANSMITTER HOUSING JT7020		
THD12003	D.120 TRANSMITTER HOUSING JT7020/IF		
THD1200A	D.120 TRANSMITTER HOUSING 2"-7/8 I.F.		
THD120A2	D.120 TRANSMITTER HOUSING ADAPTER FOR DIGITRACK		
THD12001	D.120 TRANSMITTER HOUSING KIT		
THD12002	D.120 TRANSMITTER HOUSING SONDE ADAPTOR		
THD12004	LID FOR D.120 TRANSMITTER HOUSING		
TH6CHART02 D.115	SONDE HOUS. 2"7/8IF F/ 3"		
TH6CHART02/A ADAPT.D.115	S.H./BLADE 3"1/2 AR		
TH6CHART02/B REF.PLUGS	KIT DIG.TRASM./CABLE		
TH6CHART02/C	SONDE LOCKING BOLTS		
TH6CHART02/D	BLADE LOCKING BOLTS KIT		
TH6CHNOZ50 NOZZLE	TRASM. D.5.0 ( 8C214950)		

## 6 BLADES

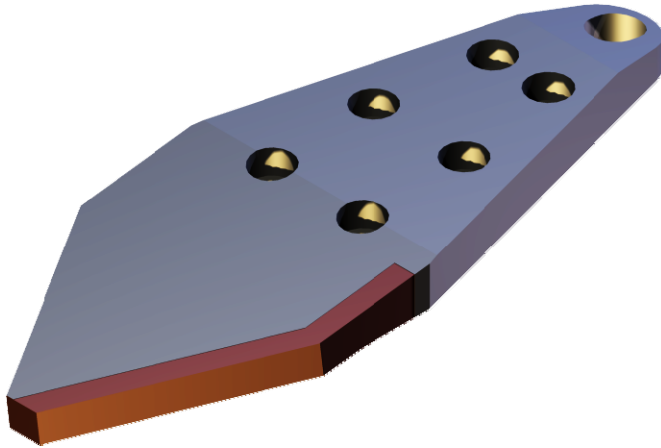


FIG. 10: CARBIDE TYPE BLADE

### Carbide type

(for sand and sandy loams)

The CARBIDE TYPE Blade is particularly good in tough conditions like cobblestones. Its narrow taper enables it to wedge in between stones during the steering pushes without stopping to drill. The cutting edges are dressed with carbide chunks for a longer bit life.

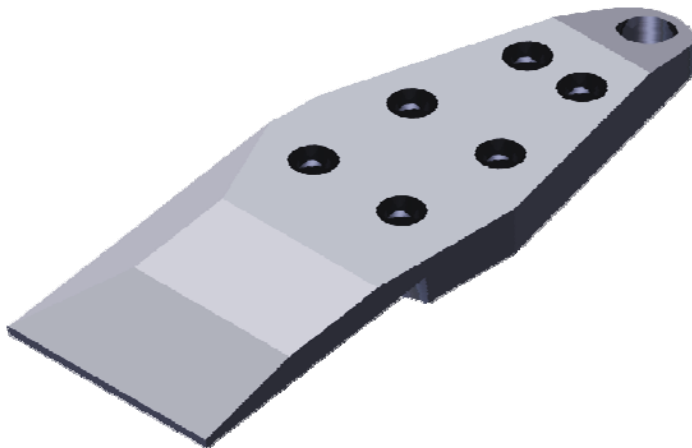


FIG. 11: CLAY TYPE BLADE

### Clay type

(for clay and standard soils)

Its low profile cutting edges are designed to reduce the drag. The underneath surface is hardfaced.

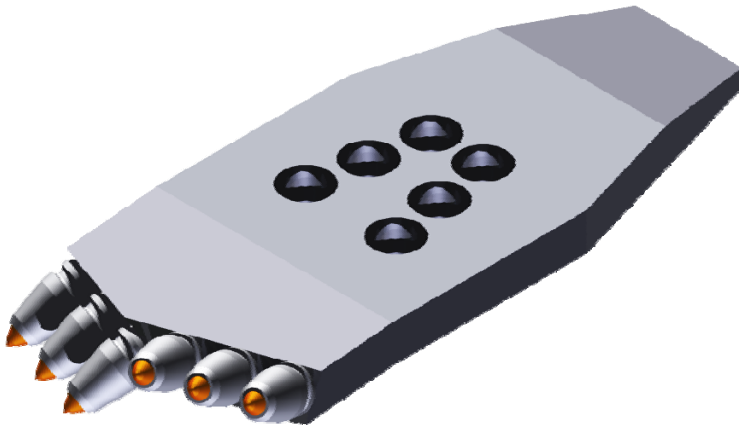


FIG. 12: PICK TYPE BLADE

### Pick type

(for medium rocky soil conditions)

The PICK TYPE Blade is an extra large conical carbide cutter especially indicated for "nasty" soils. Its heat-treated steel is abrasion-resistant and all its wear edges are hardfaced. This makes the Pick Type Blade tough and long lasting. Its Bent blades are hardfaced to prevent excessive wear caused by high pressure drill fluids.

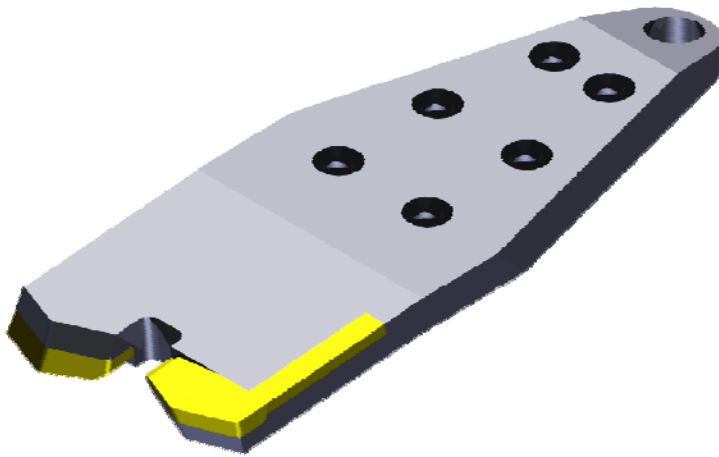


FIG. 13: TIP TYPE BLADE

**Tip type**

(for hardpan gravel dense clay)  
 The **TIP TYPE** Blade is particularly fit for slicing through hard, compact soils like hardpan and dense clay. Its cutting edges are carbide-tipped. This makes the directional push much easier. Since the **TIP TYPE** Blade cuts like a traditional rotational drill bit, it has an excellent breakout and drilling action. Moreover, the **TIP TYPE** Blade low-drag profile makes for an effective action even in the toughest soils!

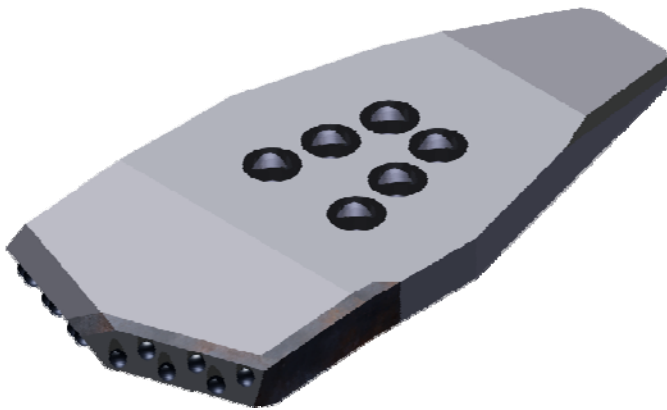


FIG. 14: BUTTON TYPE BLADE

**Button type**

(for hard rocky soil condition)  
 The Button Type Blade has cylindrical carbide buttons and it is especially fit for nasty soils. Its heat-treated steel is abrasion-resistant and all its wear edges are hardfaced. This makes the Button Type Blade long lasting. Its cutting edges are hardfaced to prevent excessive wear caused by high pressure drill fluids.

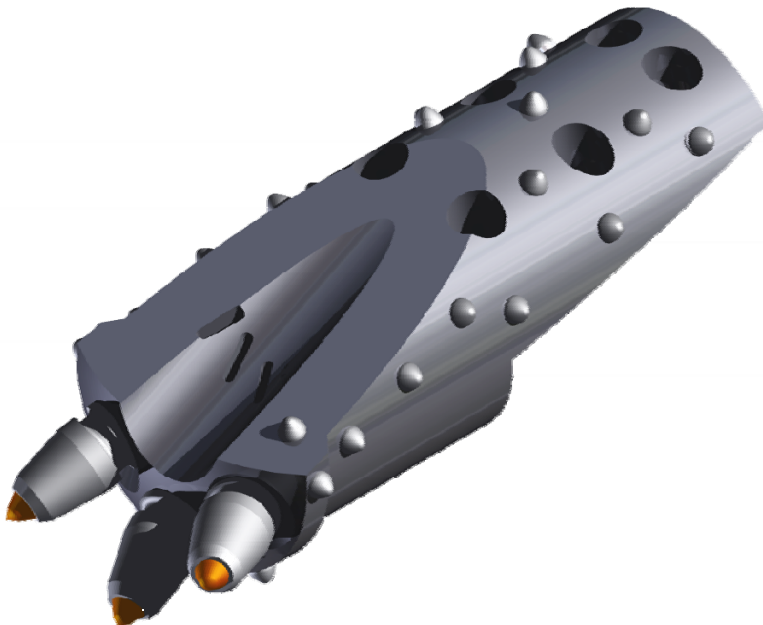


FIG. 15: DRILLING HEAD

**Drill head**

(for hard and rocky soils)  
 The **DRILL HEAD** is the bit for hard, compacted soils or glacial til. The **DRILL HEAD** is made of an abrasion-resistant steel. Solid tungsten carbides are placed on the cutting edges for maximum cutting power and minimum wear. The heavy duty nozzles placed beneath decrease the wear during the flow out of the drilling fluids

Revisioni perforatrici ed accessori

CODE	DESCRIPTION	EURO/EACH	% DISC.
TH6CHARTBA1	BLADE SQUARED TYPE (9"1/2)		
TH6CHARTBX7	BLADE BUTTON TYPE (7")		
THD76BXX	BLADE PICK TYPE FOR THD76 (5")		
THD76BX1	BLADE CARBIDE TYPE FOR THD76(5")		
THD76BX2	BLADE CLAY TYPE FOR THD76 D.4"		
THD76BX3 BLADE	TIP TYPE FOR THD76 D.5"		
THD76BX5	BLADE CARBIDE TYPE FOR THD76 4"		
THD76BX6	BLADE PICK TYPE FOR THD76 (4")		
THD76BX7	BLADE BUTTON TYPE FOR THD76 (5")		
THD76BX8	BLADE BUTTON TYPE FOR THD76 (4")		
THD120B1	BLADE CARBIDE TYPE FOR THD120		
THD120BX	BLADE BUTTON TYPE FOR THD120		
	DRILL HEAD FOR THD76		